



## TAA7000 Series of timer relays

This series consists of simple attracted armature relays, having up to 4 pairs of contacts on each unit.

The coil has a rating of 3W or less, and the contact ratings are as follows:

	ALTERNATING CURRENT	DIRECT CURRENT
Closing Capacity	2500VA with a maximum of 10A or 500V	2500W with a maximum of 10A or 500V
Breaking Capacity	1250VA with a maximum of 5A or 500V	100W (resistive) or 50W (inductive) with a maximum of 3A or 500V
Continuous current	5A	5A

The coils of these relays are suitable for DC operation only, and the relay may be fitted with a hand-reset mechanical operation indicator ("flag").

Relays are generally designed for "shunt" applications and are therefore given a voltage rating. I

Operating times are typically 20ms or less, with similar reset times.

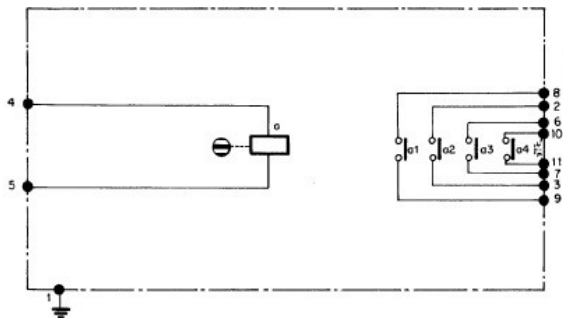
Relays supplied as standard in this range are:

- TAA7010 Auxiliary relay with 4 pairs of contacts, mounted in an R1 case
- TAA7020 (2-contact) Auxiliary relay containing 2 units, each with 2 pairs of contacts, with a common point on the coils, mounted in an R1 case
- TAA7020 (4-contact) Auxiliary relay containing 2 units, each with 4 pairs of contacts, mounted in an R2 case.
- TAA7030 Auxiliary relay containing 3 units, each with 3 pairs of contacts, with a common point on two of the coils, mounted in an R2 case.
- TAA7040 Auxiliary relay containing 4 units, each with 2 pairs of contacts, with a common point on two of the coils, mounted in an R2 case.

See wiring diagrams below for details of how coils and contacts are arranged.

Other special types using similar auxiliary units can be supplied upon request. Please consult us for feasibility.

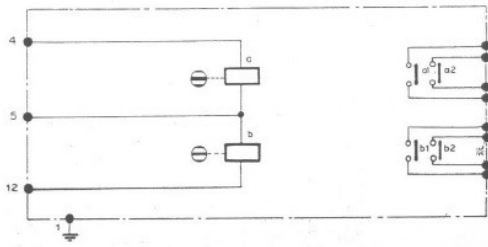
Wiring diagrams:



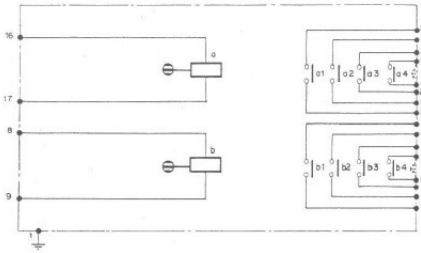
TAA7010



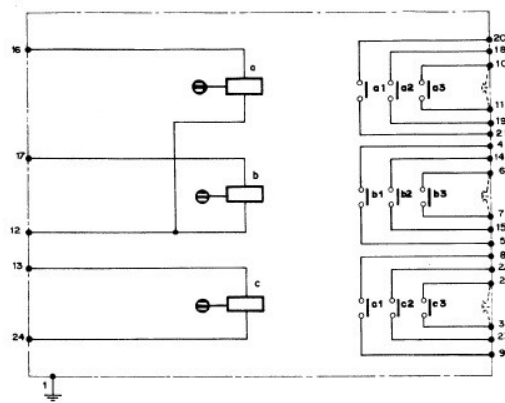
# TAA7000 Series of timer relays



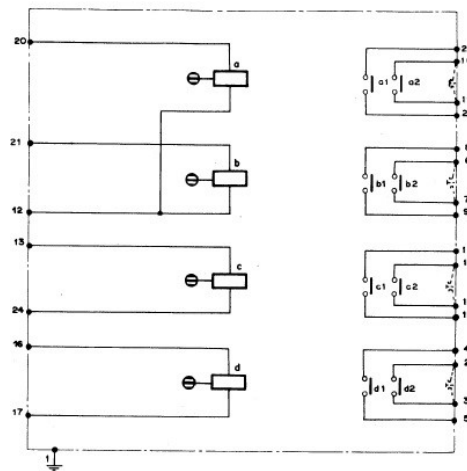
TAA7020 (2-contact variant)



TAA7020 (4-contact variant)



TAA7030



TAA7040

Note that different combinations of normally open and normally closed contacts (marked a1, a2, b1, b2 etc.) are available. Please contact us for details.